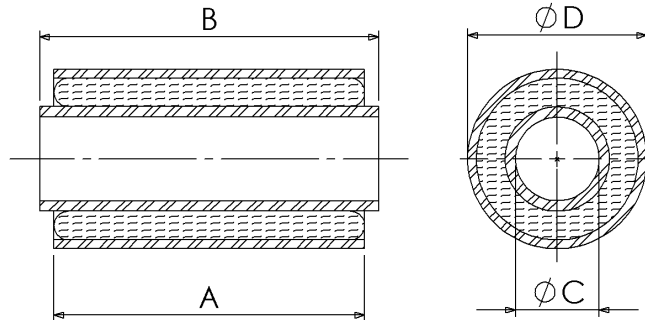
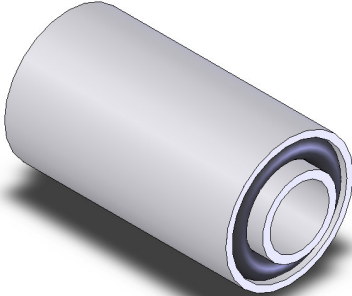


AEGIS RUBBER ENGINEERING LTD

Bolney Grange Business Park, Stairbridge Lane
Haywards Heath, West Sussex, RH17 5PA
Tel. + 44 (0) 1 444 871 116 Fax. + 44 (0) 1 444 248 327

Type BB - Fully Bonded Bush – Sheet 1 of 4



Applications

- Vibratory feeders
- Conveyer tracks
- Mechanical linkages
- Wind turbines
- General mechanical applications

Description

The BB type bushes consist of rubber bonded between two concentric steel sleeves. The moulded part is subsequently 'stress relieved' a process which pre-stresses the rubber and improves the duty of the bush..

The BB type bush is designed to accommodate small torsion, conical and axial movements and endure radial loads. As with all rubber bearings the bush accommodates misalignment, provides noise and vibration isolation and protects from shock loads.

Specifications

Natural Rubber to BS5179:1975

Highest tensile specification achieved for each hardness band. Each band is tighter than allowed by specification.

Tube to: BS6323: Part 4, DIN2393 / DIN1629

Bar to: BS970: Part 1:1983

Standard Finish – Self

Ground tolerances available.

Bushes can be supplied with pins.

Tolerances and load-deflection data are available on request

All dimensions quoted in millimetres

AEGIS RUBBER ENGINEERING LTD

Bolney Grange Business Park, Stairbridge Lane
Haywards Heath, West Sussex, RH17 5PA
Tel. + 44 (0) 1 444 871 116 Fax. + 44 (0) 1 444 248 327

Type BB - Fully Bonded Bush – Sheet 2 of 4

PART	A	B	C	D	PART	A	B	C	D
BB0141	9.52	12.70	6.35	14.30	BB0025E	37.00	39.90	10.20	25.00
BB0142	9.52	11.10	7.93	14.30	BB0025F	38.00	40.50	12.00	25.00
BB0143	19.05	20.60	7.90	14.35	BB0271	31.75	34.90	12.70	27.00
BB0161	22.20	24.60	8.00	16.00	BB0272	44.50	66.00	12.75	27.00
BB0191	28.90	31.00	9.60	19.10	BB0273	31.75	43.00	12.80	27.00
BB0192	20.60	22.00	9.60	19.10	BB0274	31.70	35.00	12.10	27.00
BB0193	28.90	31.00	10.00	19.05	BB0275	32.00	35.00	12.75	27.00
BB0211	8.50	11.70	9.60	20.60	BB0276	22.30	26.05	12.75	26.85
BB0212	19.05	22.20	9.50	20.70	BB0276	22.30	26.05	12.75	27.00
BB0213	23.80	27.00	10.15	20.60	BB0277	34.90	31.75	12.20	26.90
BB0214	38.00	43.00	9.60	20.70	BB0278	32.00	35.00	12.00	27.00
BB0215	22.40	23.50	9.60	20.70	BB0281	20.00	23.00	15.10	28.30
BB0222	26.00	30.00	8.10	22.05	BB0301	63.50	69.90	14.40	30.20
BB0223	15.00	17.00	10.00	22.00	BB0302	28.50	31.80	15.90	30.20
BB0224	13.00	15.00	10.00	22.00	BB0303	28.50	29.90	15.90	30.20
BB0225	12.70	15.87	9.55	22.25	BB0304	31.75	34.70	15.90	29.90
BB0226	44.40	50.00	9.60	22.30	BB0305	50.80	57.15	12.70	30.25
BB0227	30.00	33.00	10.10	22.10	BB0306	28.60	34.90	12.75	30.20
BB0241	19.00	22.20	11.20	23.90	BB0307	40.00	46.00	12.10	30.20
BB0242	19.00	20.60	11.20	23.85	BB0308	44.51	50.83	14.34	30.20
BB0243	19.00	20.60	11.20	23.85	BB0309	44.45	50.82	14.28	30.15
BB0251	25.40	33.30	8.00	25.45	BB0321	88.27	95.25	14.28	31.75
BB0252	17.20	23.00	12.05	25.00	BB0331	60.40	65.10	15.90	33.40
BB0253	32.00	35.00	12.05	25.00	BB0341	31.00	39.75	12.10	34.05
BB0254	21.00	23.95	12.75	25.00	BB0342	32.00	36.00	19.10	34.05
BB0255	24.00	29.80	10.20	25.00	BB0351	44.45	50.80	15.90	35.00
BB0256	30.00	35.80	10.20	25.00	BB0352	20.00	28.00	8.00	35.05
BB0257	19.00	21.95	12.15	25.00	BB0353	22.00	25.40	17.60	35.15
BB0258	19.00	30.00	10.10	25.00	BB0354	34.90	39.70	17.50	34.95
BB0259	27.00	50.00	10.05	25.00	BB0355	50.80	64.30	12.75	34.93
BB0025A	17.20	25.00	10.05	25.00	BB0361	35.00	41.25	16.00	36.00
BB0025B	17.20	35.00	10.05	25.00	BB0362	35.00	41.25	16.00	36.00
BB0025C	27.00	31.90	10.20	25.00	BB0363	34.90	41.30	16.00	36.10
BB0025D	27.00	29.90	10.20	25.00	BB0364	34.90	38.10	16.00	36.10

AEGIS RUBBER ENGINEERING LTD

Bolney Grange Business Park, Stairbridge Lane
Haywards Heath, West Sussex, RH17 5PA
Tel. + 44 (0) 1 444 871 116 Fax. + 44 (0) 1 444 248 327

Type BB - Fully Bonded Bush – Sheet 3 of 4

PART	A	B	C	D	PART	A	B	C	D
BB0371	50.80	57.15	19.10	37.50	BB0492	76.20	88.90	22.30	48.95
BB0381	63.50	71.50	16.00	38.10	BB0501	80.00	84.90	25.10	50.10
BB0382	35.30	47.00	9.90	38.10	BB0502	73.00	76.20	20.10	50.05
BB0383	73.15	77.70	19.10	38.10	BB0503	75.00	75.00	25.25	50.05
BB0384	71.45	77.70	19.10	38.10	BB0521	60.00	80.00	14.50	52.00
BB0385	34.90	41.25	19.10	38.15	BB0522	40.00	44.00	28.10	52.10
BB0386	35.00	38.10	19.10	37.85	BB0523	54.00	63.25	12.80	52.25
BB0387	72.70	77.80	12.80	38.30	BB0541	76.20	88.90	25.40	54.00
BB0388	45.00	47.50	19.20	37.90	BB0542	30.00	40.00	11.00	54.00
BB0389	34.90	37.20	16.60	38.20	BB0543	54.00	57.00	32.00	54.00
BB0391	31.75	34.93	15.88	38.86	BB0551	89.00	94.00	30.10	55.05
BB0411	79.50	104.00	16.10	41.30	BB0561	55.00	60.00	30.00	56.05
BB0421	50.00	55.00	24.20	42.10	BB0571	85.70	88.90	28.60	57.20
BB0422	40.00	50.00	12.50	42.00	BB0572	138.40	139.70	16.40	57.15
BB0431	38.10	41.35	19.10	42.90	BB0573	34.90	42.80	18.40	57.25
BB0432	31.75	38.10	25.40	42.90	BB0574	85.70	88.90	28.60	57.20
BB0433	50.80	69.85	25.40	42.85	BB0581	32.00	35.00	27.00	58.00
BB0441	38.10	41.30	25.40	44.45	BB0582	22.20	25.40	17.10	57.60
BB0442	63.50	69.85	25.40	45.25	BB0583	36.50	46.00	16.00	57.90
BB0443	50.00	59.00	14.50	44.10	BB0602	65.00	80.00	16.50	60.10
BB0451	35.00	45.00	20.00	45.00	BB0621	95.00	100.00	40.40	62.00
BB0454	40.00	46.00	17.00	45.00	BB0622	30.00	34.80	34.80	61.95
BB0455	75.00	82.00	16.20	45.00	BB0631	57.00	63.50	42.88	63.50
BB0456	75.00	82.00	16.50	45.00	BB0632	50.80	57.15	39.70	63.50
BB0461	25.40	35.00	25.40	46.70	BB0633	101.60	117.50	25.40	63.50
BB0471	100.00	102.00	22.10	46.70	BB0651	50.00	55.00	40.00	65.00
BB0481	44.50	50.80	12.15	47.60	BB0661	39.70	44.45	20.00	66.80
BB0482	44.50	50.80	16.00	47.70	BB0662	78.00	78.00	38.05	66.10
BB0483	54.00	63.25	10.10	47.60	BB0711	41.15	45.00	35.00	71.20
BB0484	38.00	49.00	12.20	47.65	BB0712	111.13	120.65	34.93	70.56
BB0485	44.50	50.80	16.00	47.70	BB0751	32.00	36.00	45.05	75.05
BB0486	63.60	69.85	19.05	47.63	BB0761	127.00	133.35	44.50	76.20
BB0486	63.60	69.85	19.05	47.63	BB0762	88.90	95.25	44.50	76.20
BB0491	76.20	88.85	22.30	48.95	BB0763	86.35	87.70	44.45	76.20

AEGIS RUBBER ENGINEERING LTD

Bolney Grange Business Park, Stairbridge Lane
Haywards Heath, West Sussex, RH17 5PA
Tel. + 44 (0) 1 444 871 116 Fax. + 44 (0) 1 444 248 327

Type BB - Fully Bonded Bush – Sheet 4 of 4

PART	A	B	C	D
BB0764	127.25	133.25	44.50	76.20
BB0765	114.30	120.65	44.50	76.25
BB0801	45.00	45.00	41.20	80.00
BB0802	100.00	110.00	50.20	79.80
BB0803	45.00	49.00	45.05	80.05
BB0821	76.20	90.20	50.85	81.50
BB0822	76.20	81.20	55.50	81.50
BB0951	79.40	88.90	38.10	94.77
BB1041	101.60	111.10	71.00	104.00
BB1042	101.60	111.10	63.55	104.10
BB1101	55.00	60.00	53.80	110.20
BB1391	190.00	202.40	88.95	139.75
BB1392	190.00	202.40	91.95	139.75
BB1394	190.00	202.40	62.00	139.75
BB1398	165.10	212.70	88.90	139.70
BB1399	165.10	217.50	88.90	139.70
BB1601	172.00	180.00	100.00	160.00
BB1631	125.00	130.15	124.00	163.15