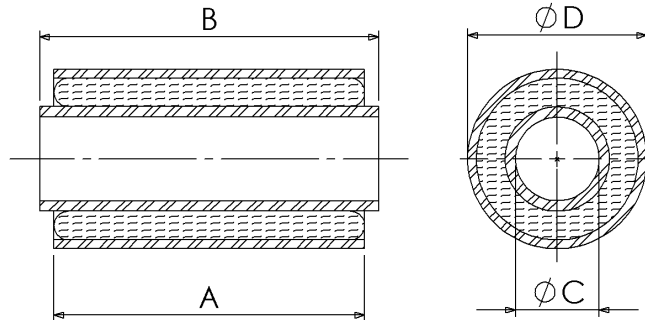
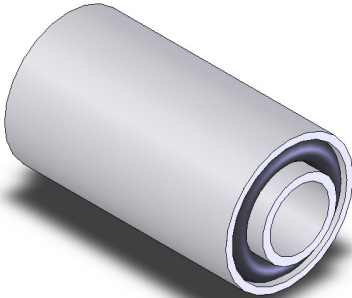


AEGIS RUBBER ENGINEERING LTD

Bolney Grange Business Park, Stairbridge Lane
Haywards Heath, West Sussex, RH17 5PA
Tel. + 44 (0) 1 444 871 116 Fax. + 44 (0) 1 444 248 327

Type BA - Semi Bonded Bush – Sheet 1 of 3



Applications

- Vibratory feeders
- Conveyer tracks
- Mechanical linkages
- Wind turbines
- General mechanical applications

Description

The BA type bushes consist of rubber sandwiched between two concentric steel sleeves. The rubber is bonded to the inner sleeve and interference fitted into the outer sleeve.

The BA type bush is designed to accommodate small torsion, conical and axial movements and endure radial loads. The rubber is pre-stressed to give a secure and high-duty bearing. The type of bush can be used as a slipping bearing: when overloaded torsionally the bush slips to a new rest position and is not damaged. As with all rubber bearings the bush accommodates misalignment, provides noise and vibration isolation and protects from shock loads.

Specifications

Natural Rubber to BS5179:1975

Highest tensile specification achieved for each hardness band. Each band is tighter than allowed by specification.

Tube to: BS6323: Part 4, DIN2393 / DIN1629

Bar to: BS970: Part 1:1983

Standard Finish – Phosphated Outer

Ground tolerances available.

Bushes can be supplied with pins.

Tolerances and load-deflection data are available on request

All dimensions quoted in millimetres

AEGIS RUBBER ENGINEERING LTD

Bolney Grange Business Park, Stairbridge Lane
Haywards Heath, West Sussex, RH17 5PA
Tel. + 44 (0) 1 444 871 116 Fax. + 44 (0) 1 444 248 327

Type BA - Semi Bonded Bush – Sheet 2 of 3

PART	A	B	C	D	PART	A	B	C	D
BA0181	25.40	27.80	8.00	17.50	BA0324	50.00	54.00	16.10	32.00
BA0191	28.90	31.00	9.50	19.10	BA0325	50.80	58.70	12.70	31.75
BA0193	22.23	25.40	6.35	19.05	BA0326	34.00	40.00	16.50	31.80
BA0201	26.00	29.00	10.20	20.00	BA0328	57.15	61.90	16.00	31.80
BA0221	66.70	69.90	11.10	22.20	BA0329	57.15	61.90	14.40	31.80
BA0222	32.00	36.00	10.30	22.10	BA0331	25.40	28.60	12.70	33.30
BA0223	36.53	39.70	8.00	22.25	BA0351	63.50	68.30	16.10	35.00
BA0224	34.90	38.10	11.20	22.25	BA0352	70.00	79.50	14.10	35.00
BA0225	28.60	31.75	8.05	22.25	BA0032A	44.45	46.00	12.80	31.80
BA0231	25.40	28.60	11.10	23.80	BA0032B	31.75	39.50	19.10	31.85
BA0241	38.10	41.30	11.20	23.85	BA0032C	57.15	63.50	12.70	31.80
BA0242	25.40	25.40	12.80	23.85	BA0353	34.90	38.10	15.90	34.90
BA0243	30.20	32.15	9.60	23.85	BA0354	48.00	50.00	13.00	35.00
BA0251	38.10	44.45	11.10	25.40	BA0381	78.00	84.00	20.00	38.00
BA0252	21.00	25.10	12.30	25.40	BA0382	38.10	41.25	19.10	38.15
BA0254	50.80	54.00	11.10	25.40	BA0383	57.15	61.90	19.15	38.15
BA0255	47.60	52.40	9.50	25.40	BA0384	60.00	72.00	16.10	38.05
BA0256	28.60	36.50	11.11	25.40	BA0385	73.00	79.40	15.90	38.15
BA0271	32.00	35.00	12.10	27.10	BA0386	57.20	110.00	19.10	38.10
BA0272	26.00	29.00	12.10	27.10	BA0461	47.60	50.80	25.40	46.10
BA0273	32.00	34.90	12.75	27.10	BA0462	65.00	69.00	25.35	46.00
BA0274	50.80	60.30	12.70	27.00	BA0463	98.40	104.80	25.50	46.05
BA0275	25.40	28.60	11.20	27.05	BA0464	38.10	41.30	25.50	46.05
BA0276	38.10	41.30	12.80	27.05	BA0465	63.50	68.26	25.40	46.00
BA0277	44.45	47.63	12.80	27.05	BA0481	84.00	92.00	24.10	48.05
BA0281	36.50	40.50	14.40	28.70	BA0482	110.00	118.00	28.00	48.00
BA0282	30.00	36.00	14.40	28.70	BA0483	110.00	118.00	28.00	48.00
BA0283	32.00	32.00	12.10	28.00	BA0521	100.00	108.00	28.00	52.00
BA0291	25.40	28.50	12.70	28.60	BA0531	63.50	73.00	25.40	54.00
BA0292	28.60	33.35	12.80	28.65	BA0532	50.80	57.20	25.40	54.00
BA0293	51.60	55.60	9.53	28.57	BA0551	114.25	123.80	28.60	54.70
BA0321	66.00	70.00	16.00	32.00	BA0552	114.30	123.90	28.65	54.70
BA0322	50.80	54.00	14.40	31.90	BA0561	50.00	55.00	32.00	56.00
BA0323	36.50	39.70	14.30	31.80	BA0591	69.85	74.60	35.00	58.80

AEGIS RUBBER ENGINEERING LTD

Bolney Grange Business Park, Stairbridge Lane
Haywards Heath, West Sussex, RH17 5PA
Tel. + 44 (0) 1 444 871 116 Fax. + 44 (0) 1 444 248 327

Type BA - Semi Bonded Bush – Sheet 3 of 3

PART	A	B	C	D	PART	A	B	C	D
BA0601	76.00	82.00	24.00	60.00	BA1601	172.00	180.00	90.00	160.15
BA0631	50.30	57.10	32.10	63.60	BA1602	172.00	180.00	90.00	160.15
BA0632	127.00	130.20	26.00	63.50	BA1603	172.00	180.00	101.00	160.10
BA0633	83.00	89.00	25.50	63.50	BA1605	172.00	180.00	90.50	160.10
BA0641	70.00	76.00	38.05	64.05	BA1607	172.00	180.00	90.50	160.10
BA0642	50.80	57.20	31.80	63.50	BA1721	209.60	209.60	146.05	171.45
BA0651	61.12	70.64	38.10	65.09	BA1871	190.50	203.20	120.65	188.50
BA0701	76.20	82.60	41.34	69.90	BA2001	222.00	230.00	100.00	200.00
BA0861	95.25	101.60	50.85	85.75	BA2003	222.00	230.10	100.00	200.00
BA0862	101.60	101.60	50.80	85.73	BA2008	192.00	200.00	120.00	200.00
BA0891	88.90	92.08	54.00	88.90	BA2009	200.00	220.00	120.00	200.00
BA0951	114.30	120.65	57.20	95.30	BA2183	264.00	272.00	110.10	218.00
BA1021	110.00	120.00	56.00	102.00	BA2185	222.00	200.00	120.00	218.00
BA1051	101.60	108.00	63.50	104.80	BA2301	310.00	330.00	110.00	230.00
BA1052	100.00	108.00	65.00	105.00	BA2305	310.00	330.00	110.00	230.00
BA1053	101.60	108.00	50.80	104.80	BA2306	222.00	230.00	100.00	230.00
BA1054	95.00	95.00	65.00	105.00	BA2307	240.00	250.00	132.00	230.00
BA1055	100.00	108.00	65.00	105.00	BA2351	267.00	267.00	197.00	235.00
BA1056	100.00	108.00	65.00	105.00	BA2411	274.00	274.00	200.00	245.00
BA1057	152.40	165.10	65.50	104.78	BA2501	240.00	250.00	132.00	250.00
BA1081	120.60	127.00	73.10	107.95	BA2581	70.25	85.50	70.00	258.00
BA1082	114.30	120.65	67.95	107.95	BA2701	270.00	290.00	160.05	270.00
BA1082	114.30	120.65	67.95	107.95	BA3001	205.00	210.00	150.10	300.00
BA1101	110.00	120.00	60.00	110.05	BA3002	205.00	210.00	150.00	300.00
BA1102	110.00	120.00	60.05	110.05	BA3004	245.00	250.00	150.00	300.00
BA1201	165.10	174.60	76.20	120.65	BA3005	205.00	210.00	180.00	300.00
BA1202	139.70	149.00	76.20	120.65	BA3381	250.00	280.00	200.00	338.00
BA1271	133.35	139.70	82.60	127.05					