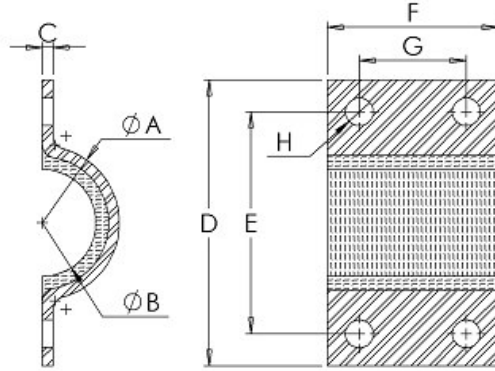


AEGIS RUBBER ENGINEERING LTD

Bolney Grange Business Park, Stairbridge Lane
Haywards Heath, West Sussex, RH17 5PA
Tel. + 44 (0) 1 444 871 116 Fax. + 44 (0) 1 444 248 327

Type AB – Anti-roll bar bush – Sheet 1 of 1



Applications

- Roll bar retention
- Bespoke

Description

The AB Anti-Roll Bar Bushes consist of rubber bonded to a steel pressing. Two halves make a complete bush.

Suitable for applications where torsional movement is expected and radial support is required. As installed, the rubber is pre-stressed to give maximum dynamic strength and durability.

Specifications

Natural Rubber to BS5179:1975

Highest tensile specification achieved for each hardness band. Each band is tighter than allowed by specification.

Steel to: BS1449 CR4

Standard finish – Black Paint.

Various stiffnesses available

Tolerances and load-deflection data are available on request

For our current product range, outside diameter $\varnothing A$ ranges from $\varnothing 66\text{mm}$ to $\varnothing 92\text{mm}$.

Contact us for more details of our current product range or a quotation for a new product. We can advise price breaks at 20, 50, 100, 500 & 1000 off. info@ae-gis-rubber-eng.co.uk